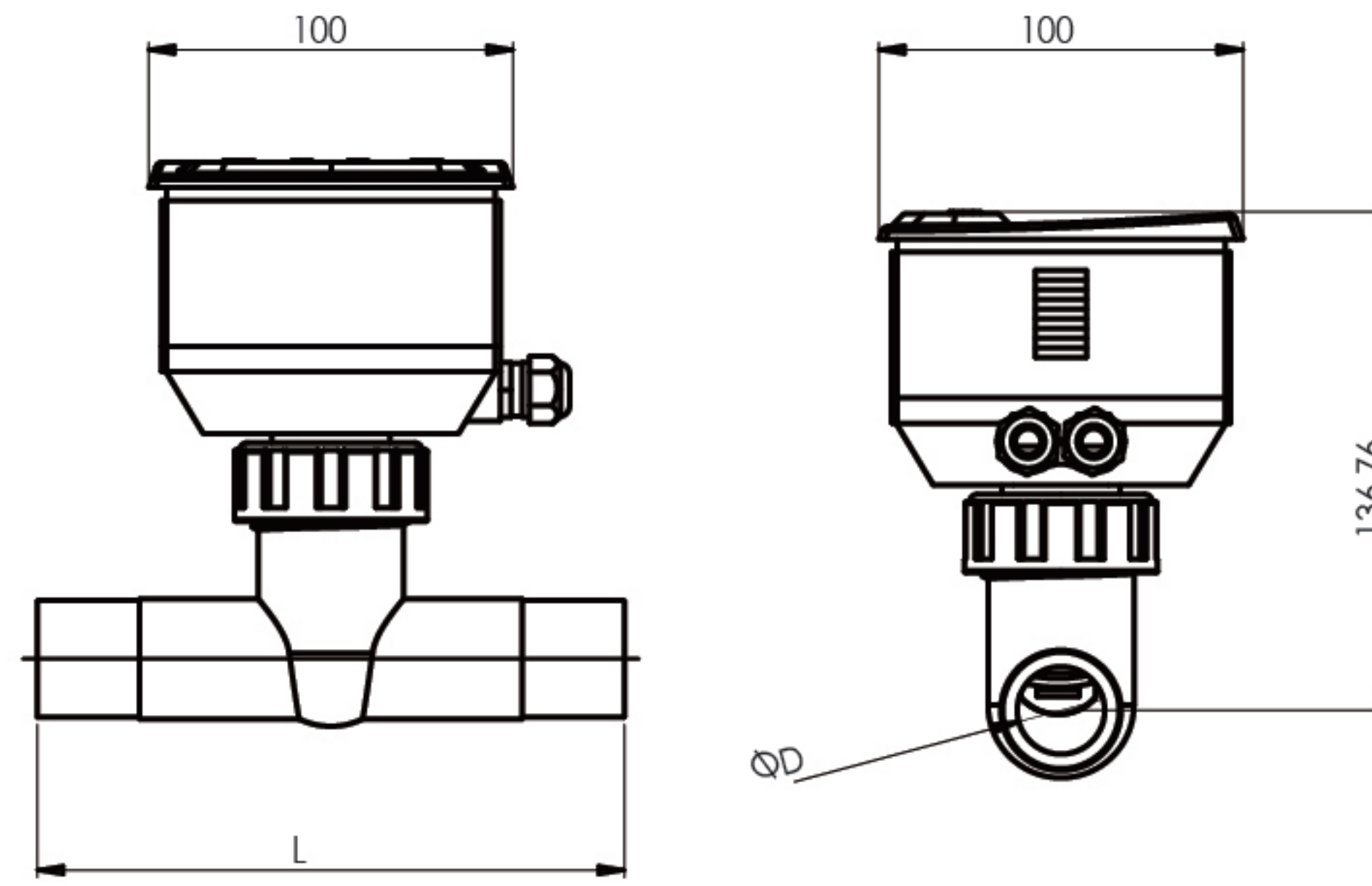


The Series KF510-KP Glue Type Paddlewheel Flowmeter

From DN10 to DN50, easy to install and maintain



The Series KF510-KP Glue Type Paddlewheel Flowmeter is commonly used for liquid flow measurement in industries such as water supply and drainage systems, petroleum, chemicals, and hydraulic systems. Featuring a simple structure and easy installation, it is widely applied in both industrial settings and laboratories. Its measurement principle involves fluid flowing through the flowmeter, driving the paddlewheel to rotate at a speed proportional to the fluid velocity. The paddlewheel drives an electromagnetic device, converting mechanical rotation into electrical pulse signals; calculating the pulse frequency yields the instantaneous or cumulative flow rate of the fluid.

FEATURES

- Glue type connection for convenient installation
- Intuitive measurement with linear correlation between rotational speed and flow rate
- High measurement accuracy
- Simple structure, easy maintenance, low maintenance cost
- Suitable for clean liquids like water and oil, featuring a wide turndown ratio and broad application range
- Highly sensitive to flow changes, rapid response, capable of reflecting flow velocity fluctuations in real time

SPECIFICATIONS	
Wetted Materials	Paddlewheel: PVDF, PTFE; Shaft: Ceramic; Seal Ring: FKM
Pipe Size	DN10- DN50
Flow Velocity Range	0.3m/s ~ 6m/s
Accuracy	±1.5%FS
Repeatability	±0.5%
Ambient Temperature	-20°C to 65°C
Temperature Rating	-20°C to 80°C
Pressure Rating	0.8MPa or 1.0MPa
Installation Type	Panel-mounted type (cutout size 95*95), integrated pipe type
Power Supply	24V DC, optional battery power supply
Output	4-20mA + Pulse + RS485
Power Consumption	2W
Enclosure Rating	IP65

APPLICATIONS

- Petrochemical Industry
- Metallurgical Industry
- Textile Industry
- Pharmaceutical Industry
- Semiconductor Industry
- Food and Beverage Industry
- Paper and Pulp
- Power Plants
- Urban Water Supply and Drainage
- Environmental Protection
- New Energy Industry
- Shipbuilding Industry

MODEL CHART								
Example	KF510-KP	-A	-10	-1	-AT	-1	-1	
Series	KF510-KP Glue Type Paddlewheel Flowmeter							
Converter Type	A	Integrated Type						
	B	Remote Type						
Pipe Size		10	DN10, 3/8", Flow Range: 0.1 m³/h - 1.8 m³/h, L=120mm, D=20mm, custom made					
		15	DN15, 1/2", Flow Range: 0.2 m³/h - 4 m³/h, L=130mm, D=20mm, custom made					
		20	DN20, 3/4", Flow Range: 0.3 m³/h - 6 m³/h, L=142mm, D=20mm					
		25	DN25, 1", Flow Range: 0.5 m³/h - 12 m³/h, L=142mm, D=22mm					
		40	DN40, 1-1/2", Flow Range: 2 m³/h - 24 m³/h, L=175mm, D=40mm					
		50	DN50, 2", Flow Range: 4 m³/h - 40 m³/h, L=175mm, D=63mm, custom made					
Process Connection			1	DIN Standard				
			2	American Standard (ANSI)				
			3	Japanese Standard (JIS)				
Flow Transmitter Function				AT	Instantaneous flow rate, cumulative flow rate			
				AF	Instantaneous flow rate, cumulative flow rate, current output			
				AC	Instantaneous flow rate, cumulative flow rate, pulse output			
				AD	Instantaneous flow rate, cumulative flow rate, RS485			
Power Supply					1	Battery-powered (no signal output)		
					2	24V DC		
Interlock Alarm						1	High limit alarm	
						2	Low limit alarm	
						3	Batch control	
						4	No alarm	
Flow Unit						1	L/S	
						2	L/min	
						3	L/h	
						4	m³/S	
						5	m³/min	
						6	m³/h	
						7	G/S	
						8	G/min	
						9	G/h	